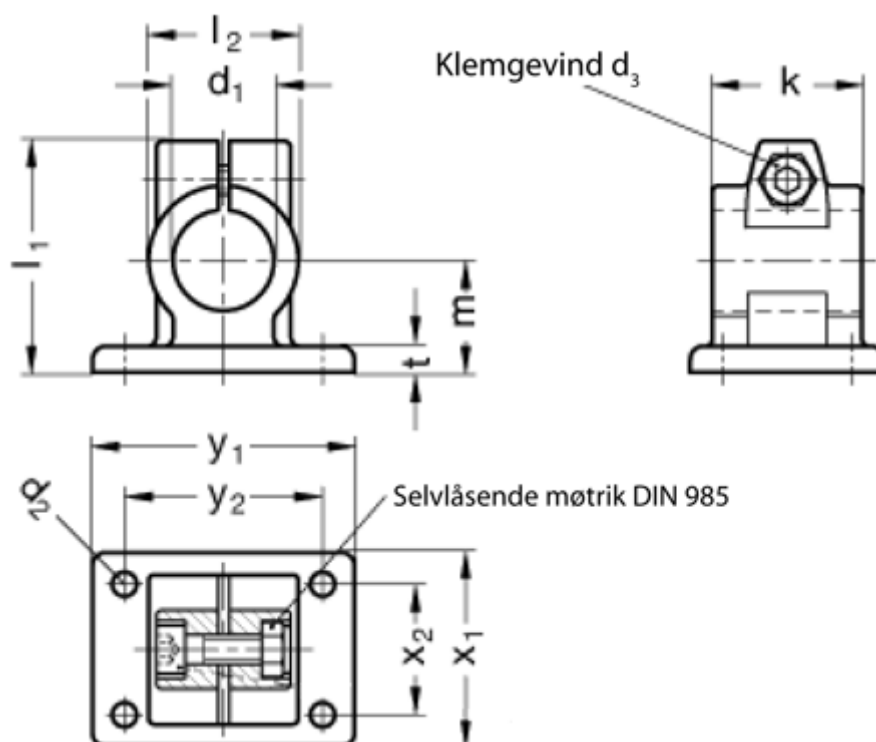


Article number: 20146B32562BL

Description: E+G  
Flanged Connector GN 146-B32-56-2-BL

## Measures



Adjustable clamp lever = GN 911-M10-40 have to be ordred separately

d1 = B32  
d2 = 8.5  
d3 = M10  
k = 56  
l1 = 83  
l2 = 56  
m = 42

t = 10  
x1 = 78  
x2 = 52  
y1 = 108  
y2 = 82